

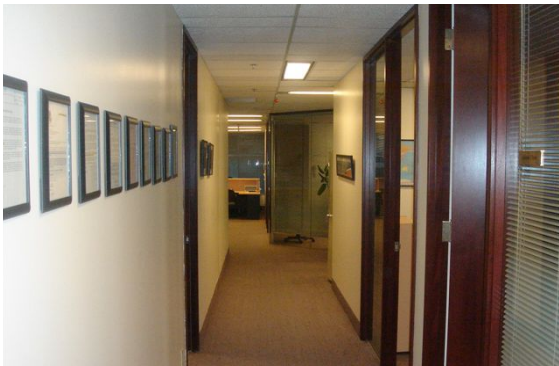
**STORAGE TANKS  
&  
MODULE FABRICATION**



**ZACHRY CANADA LTD.**

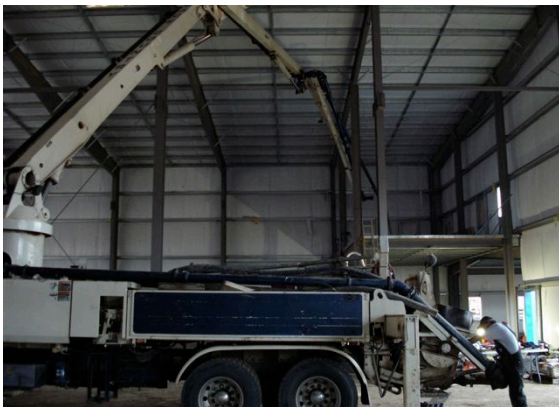
# Company Introduction

Zachry Canada Ltd. (Zachry) is a Canadian owned multi-disciplined consulting engineering firm. Zachry has been providing professional engineering services since 1988 to industrial clients in Canada and internationally.



Zachry specializes in engineering design, project management, industrial equipment fabrication, construction, material handling, international labor sourcing and training.

We are well versed in the areas of oil sands, oil & gas pipelines, heavy oil plants, gas and sulphur plants, as well as petroleum and chemical refineries.



*“Our goal is to provide the highest services to our clients at extremely competitive rates. This added-value service includes client focus, being innovative and flexible and ongoing commitment to quality.”*





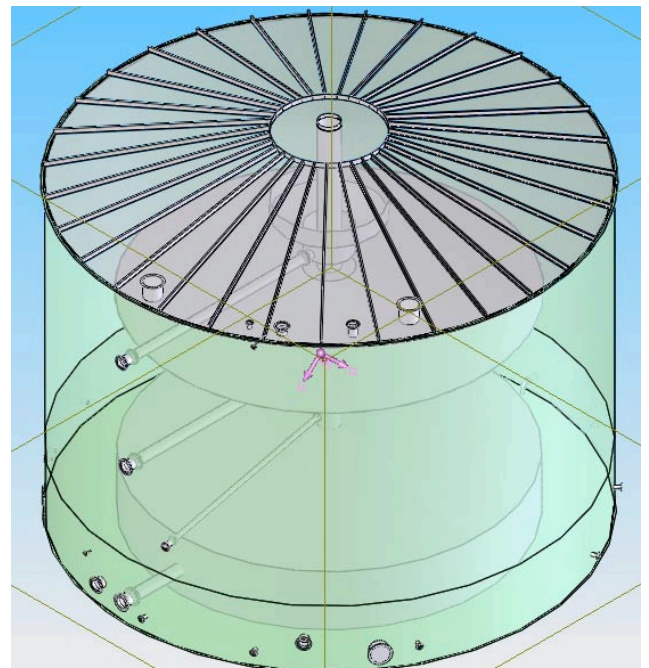
# Engineering

Our teams of professional engineers are members of: The Association of Professional Engineers, Geologists and Geophysicists of Alberta (APEGGA), The Association of Professional Engineers and Geoscientists of British Columbia (APEG), The Association of Professional Engineers and Geoscientists of Saskatchewan (APEGS), Northwest Territories and Nunavut Association of Professional Engineers and Geoscientists (NAPEG) and Professional Engineers Ontario (PEO).



We have participated in numerous projects for Conoco Phillips, Syncrude, Suncor, Shell, EnCana, Penn West, Husky, Williams, Ainsworth and ARCO.

Zachry is an integrated engineering-to-fabrication installation and maintenance company with full engineering, design, fabrication and construction capabilities to provide complete start-to-finish project solutions to the energy and mining industries in Western Canada and international countries.



# Tanks and Modules

Zachry also has the ability to provide quick and accurate quotes for storage tanks, from full scale tank farms in a facility, to the single field erected tank.

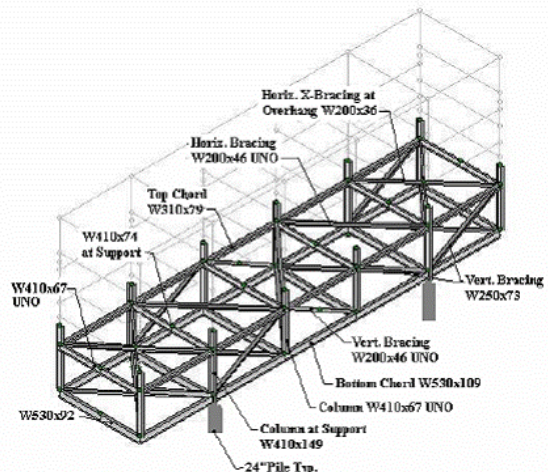


We ensure all safety factors are met when quoting these tanks.



We are also able to engineer, quote, manufacture and provide any type of steel frame module that is required.

With our 3D engineering software, we are able to design and analyze the modules to code before they are manufactured ensuring complete safety.





# Construction



Zachry Canada Ltd. has the manufacturing capability to provide fast-turnaround prototyping and small quantity construction, to large scale and mass production.

Our highly experienced logistics team can have the items delivered quickly and safely to your door. We specialize in Pipe Supports, ASME Pressure Piping, API Storage Tanks, Structural Steel, Modules and Skids and General Machining & Casting.



# Projects

Zachry has been involved in various projects in the Engineering discipline as well as Construction/Management.

Amoco Nipissi Miscible Flood  
Amoco West Pembina  
ARCO Alpine Alaska South Slope  
BP Wolfe Lake I and II  
Calgary Bonnybrook Sewage Treatment  
Claenese Methanol Plant  
CNRL Wolf Lake Primrose Steam and Production Pipelines  
Comico Urea Revamp  
Conoco Empress Ethane Extraction  
Dry Kilns in Quesnel, Grand Prairie, Vander Hoof and 100 Mile House  
Edmonton Power Steam Piping Revamp  
EnCana Christina Lake SAGD  
EnCana Foster Creek SAGD  
Esso Boundary Lake  
Exxon Mobil Sakhalin Offshore Projects  
Gulf Rimbey Gas Plant  
Hamilton Woodward Avenue Swage Treatment  
JCOS Hanging Stone SAGD  
Kazakhstan Hurricane Gas Utilization  
Kuwaiti National Petroleum Abul Mina Refinery  
Noranda Reactor Acid Plant  
Novagas Compressor Stations in: Caribou, Midwinter, Jedni and Peygo  
PetroCanada Gold River  
PetroCanada Pipelines  
Placer Cego Gas Plant  
Saferco Nitrogen  
Shell Athabasca Hydrogen Manufacturing Unit  
Shell Caroline Gas Plant  
Shell Peace River  
Shell Peace River Soak Well 2000  
Shell Rosevear Gas Plant

Shell Scotford Refinery  
Shell-Flint-TriOcean Alliance Pipelines  
Stauffer Regen Sulphuric Acid  
Sulphur Canada Prince Rupert Export Terminal  
Sunoco Philadelphia Refinery  
Syncrude Piping Specification Upgrade 1987  
TCPL Maxim Gold River  
TCPL Winnipeg Compressor Station  
TransCanada Pipeline Edson Pipelines  
Weyerhaeuser Hudson Bay OSB Mill  
Weyerhaeuser Kenora Joist OSB Plant

**Construction and Management**  
Ainsworth Grand Prairie OSB Mill  
Ainsworth Lumber Co. Ltd.  
Australia Cowal Gold Mine  
Burlington Resources Canada  
Canadian Crude  
Chauvco Resources Ltd.  
EnCana Plant Management – Paddle Prairie Area  
Footner Forest Products  
Footner High Level OSB Mill  
GEC Tank Erection Project  
Newmont Nunavut Mine  
Northern Engineered Wood Products Inc.  
Nova Corporation Cardinal Lake Compressor Station  
Paramount Resources Plant Maintenance  
Placer Dome Musslewhite Mine  
Selkirk Energy  
Solcan Group  
South Africa Bulyanhulu Gold Mine  
Temple Exploration Inc.  
Tolko, OSB  
Waipiti Gravel Suppliers



Zachry Canada Ltd. is registered with CanQual and with ISN.

We are also an approved Vendor for the following companies:

**Shell Canada** (Scotford/Athabasca Upgraders, Gas plants)  
**Shell Global** (Consulting Service)  
**Newmont Mining (Denver, USA)**  
**Nexen** (Gas plants)  
**Husky** (Upgrader U&O)

**Suncor** (U&O)  
**Penn West** (Swan Hills Pipelines)  
**Sherritt International** (Cuba Oil & Gas)  
**Bermuda** (Municipal Waste Treatment)  
**Spectra Energy**  
**Synenco**



# Experience & History



## Oil & Gas Refineries

(Engineering, Contracting)

US\$36 million tank installation + US\$15 million general contracting (Ft. Murray)



## Mining

(Engineering, Procurement)

US\$5 million conveyors design & fabrication (Australia, SA and Canada)

## Fabrication Sourcing

(QA/QC)

Government Permit for Synenco Reactors (Alberta Canada, China and SA)

## Foreign Labour

(Sourcing, Training, Certification and Immigration)

150 foreign worker permits, trade training & certification





## ZACHRY CANADA LTD.

### Head Office

Suite 250, 700 - Sixth Avenue, S.W.

Calgary, Alberta, Canada T2P 0T8

Tel: 1-403-705-6797

Fax: 1-403-537-1976

Website: [www.zachrycanada.com](http://www.zachrycanada.com)

### Fabrication Shop

RR#3 Site 1, Box 22,

Grande Prairie, Alberta, Canada T8V 5N3

Tel: 1-780-539-5926

Fax: 1-780-532-9470